

L O N D O N W A L L

## Type 100



London Wall Type 100 is the top of the range and market leader in the world of movable walls. It consists of individually operated top hung panels requiring no floor tracks. Purpose made panels can be manufactured to clients specific requirements, offering total space flexibility, long lasting use and high standards of finishes, sound reduction and durability.

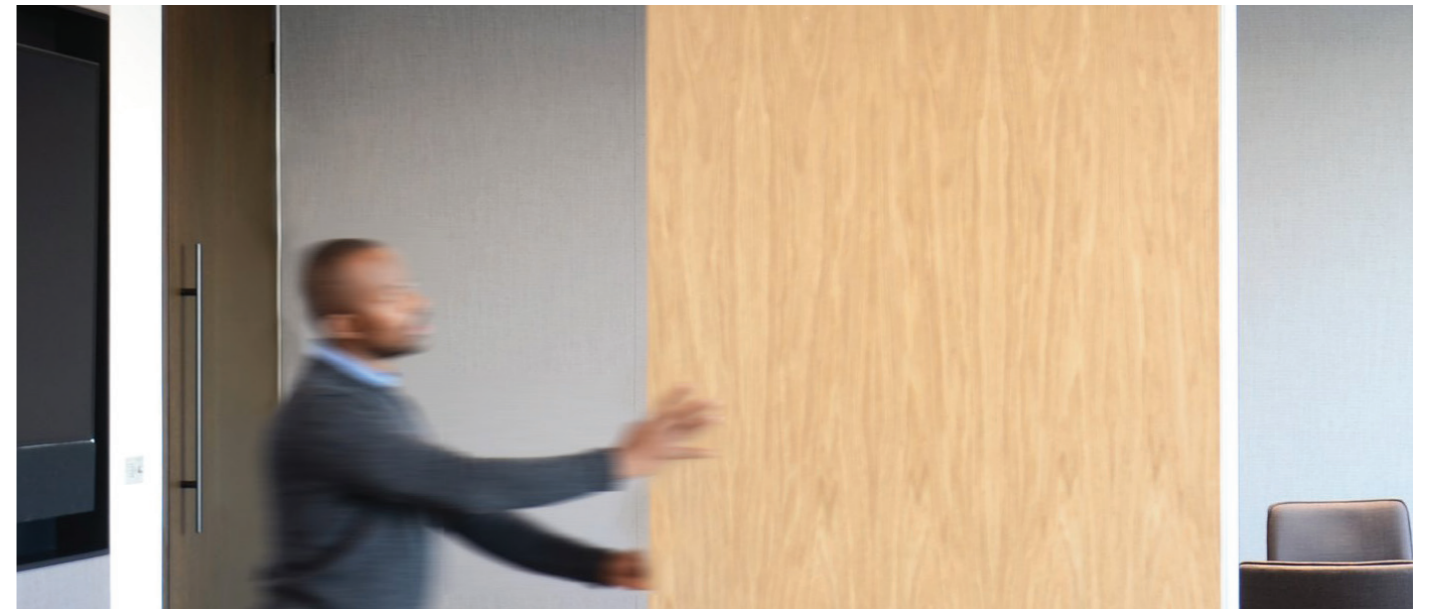


## Overview

The Type 100 is ideal for use in hotels, conference centres, lecture theatres, civic halls, meeting rooms and office environments.

It is particularly adaptable to the demands of complex multi-functional usage requirements for both corporate and public environments regardless of size, finish or acoustic properties.

- Heavy duty, top-hung, individual panels
- Manual, semi or fully electric operation
- Sound reduction up to Rw 60dB
- Extensive stacking options



## Features

**Height:** Up to 10,000mm (higher on request)

**Panel Width:** Upto 1,250mm (wider on request)

**Sound Reduction:** Up to Rw 60dB

**Panel Thickness:** 105mm

**Suspension method:** Top hung, no floor track

**Operation Mode:** Manual, semi-electric or fully electric

**Panel Type:** Individual panel

**Seal Type:** Quick action worm screw drive/electric

**Panel Construction:** Steel twist resistant frame

**Panel Weight:** 63kg/m<sup>2</sup>

**Fireproof Qualities:** Class 1, Class 0, F30, F60

**Pass Door Panels:** Full Height, Single Inset, Double Inset

**Usage:** Internal and semi-external

**Panel Edges:** Exposed or concealed, SAA or powder coated

**Panel Finishes:** Laminate, HP Laminate, Veneer, Fabric, Steel, Whiteboard, Magnetic whiteboard

**Other Options:** Curved, Glazed cut outs

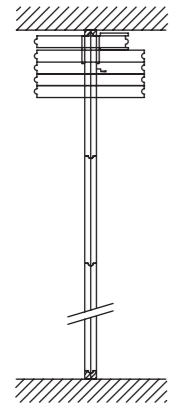
**Stacking Options:** TL1 ('E' system), TL2 ('Za' system)

TL3 ('Zb' system), TL4 ('Z' system), TL5 ('K' system)

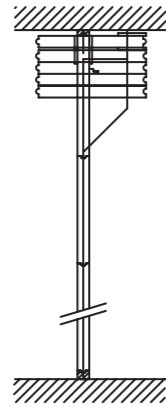
TL6 ('K' system), TL7 ('K' system), TL8 ('K' system)



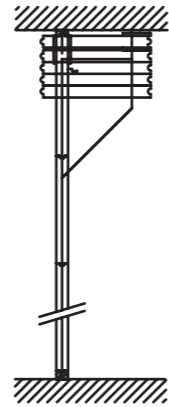




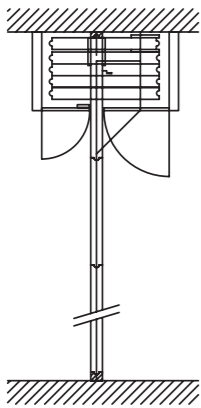
TL1 ('E' System)



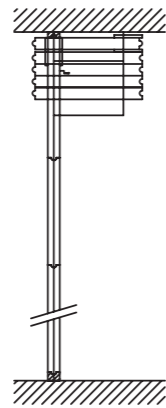
TL2 ('Za' System)



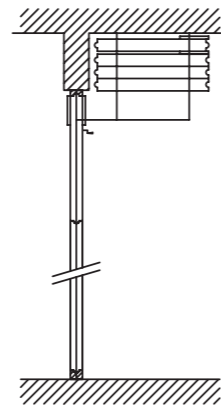
TL3 ('Zb' System)



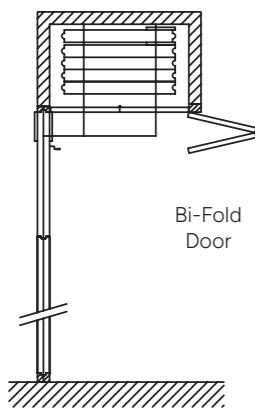
TL4 ('Z' System)



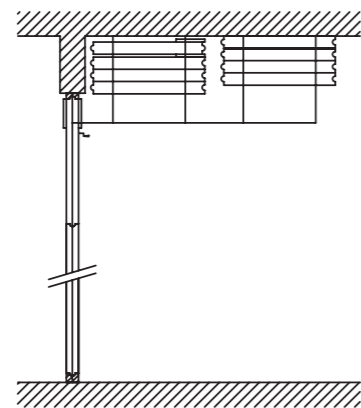
TL5 ('K' System)



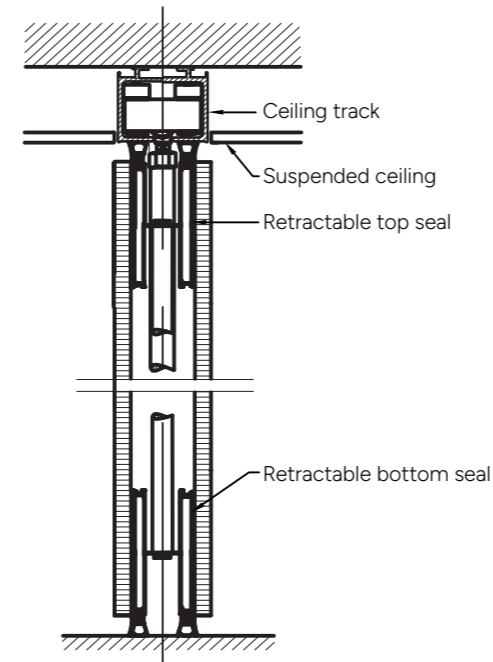
TL6 ('K' System)  
Panels stacked behind reveal.



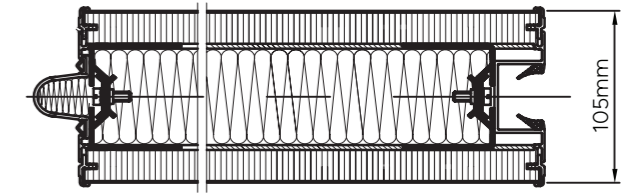
TL7 ('K' System)  
Panels stacked inside wall recess.



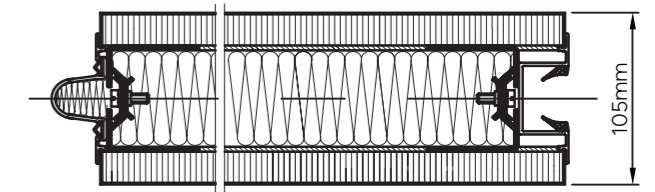
TL8 ('K' System)  
Panels stacked in branches to one or both sides.



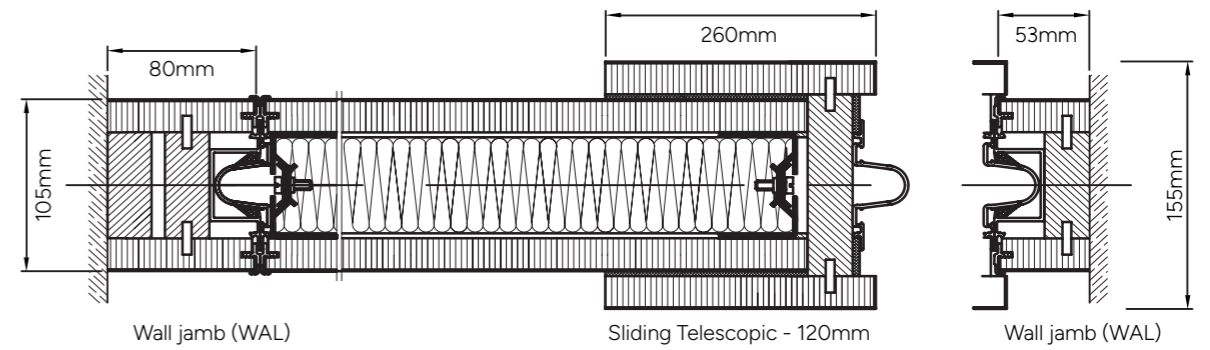
Vertical Section Through Standard Panel (NE)



Horizontal Section Through Standard Panel (NE) - Exposed edge protection profile



Horizontal Section Through Standard Panel (NE) - Concealed edge profile



Horizontal Section Through Telescopic Panel (TE) & Wall Jambs (WL + WAL)



LONDONWALL

[www.londonwall.co.uk](http://www.londonwall.co.uk)  
[info@londonwall.co.uk](mailto:info@londonwall.co.uk)  
020 8391 8750

London Wall Design Ltd  
63 Barwell Business Park  
Chessington  
KT9 2NY